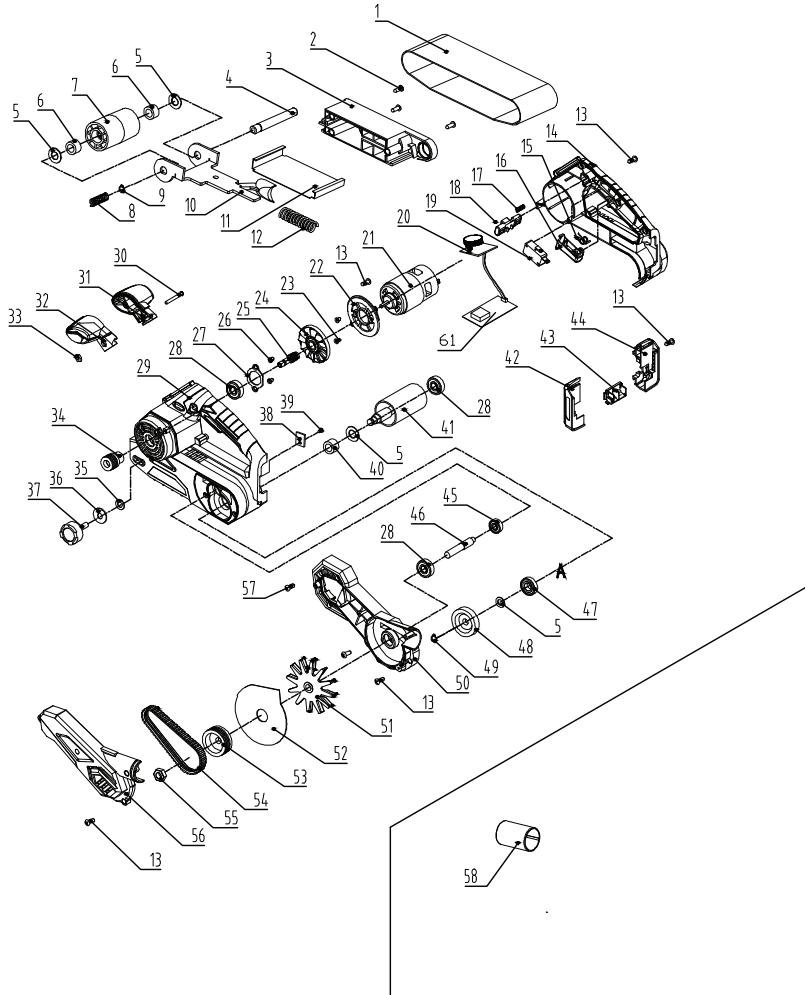


# RDP-SBS20

## Exploded View and spare parts list



1	Sanding belt176*457	1	30	Soket head cap screwM6*25	1
2	Cross pan head tapping screwsST4*20	3	31	The deputy handle right	1
3	Lower cover	1	32	Deputy handle left	1
4	Output shaft	1	33	Hex nut-M5	1
5	Flat gasket $\phi 10, 1 * \phi 16 \phi 0,5$	4	34	Small belt pulley	1
6	Needle bearing HK1010	2	35	Internal tooth washer	1
7	Before the roller	1	36	Flat gasket $\phi 6 * \phi 22 \phi 1,5$	1
8	Regulating spring	1	37	Adjusting knob	1
9	Circlip for shaft 10	1	38	Ceramic flat piece	2
10	Front wheel rack assembly	1	39	Cross pan head tapping screwsT3.5*8	2
11	Baseplate	1	40	Oil copper sleeve10*14*10	1
12	Tension spring	1	41	Rear roller assembly	1
13	Cross pan head tapping screwsST4*14	15	42	Pin seat left	1
14	Right casing	1	43	MCD758-1SC stent	1
15	Right housing switch torsion spring	1	44	Pin a right	1
16	Switch the trigger	1	45	Bearing-606	1
17	Pressure spring	1	46	Pinion	1
18	Switch self-locking lever	1	47	Bearing-6900	1
19	Switch	1	48	Rack wheel	1
20	Speed controller	1	49	Circlip for shaft 8	1
21	Motor- 897	1	50	Side cover	1
22	Fan Shroud	1	51	Vacuuming the blades	1
23	Cross pan head screwsM5*8	2	52	Vacuuming baffle	1
24	Fan blade	1	53	The pulley	1
25	Motor connecting shaft	1	54	Poly V-beltEPJ 338	1
26	Cross countersunk head tapping screwsST4*10	2	55	Locknut M8	1
27	608-bearing pressure plate	1	56	Belt cover	1
28	Bearing-608	1	57	Cross pan head tapping screwsST4*12	2
29	The left casing	1	58	Dust transfer interface	1